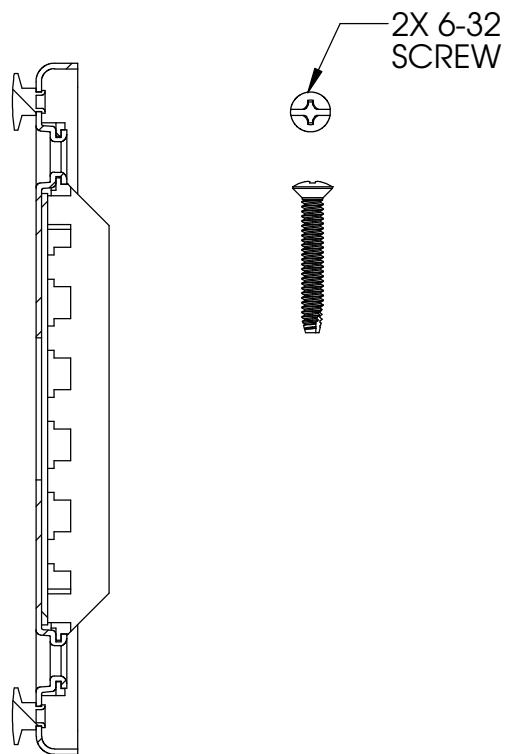
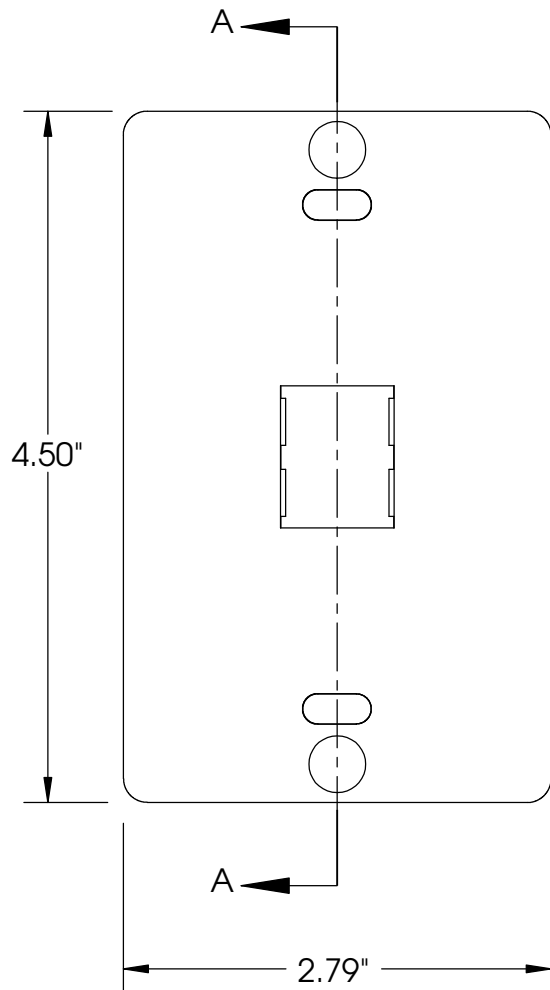


NOTES:

1. ALL DIMENSIONS ARE IN INCHES.
2. PROTECTIVE FILM APPLIED TO THE FACE SIDE ONLY.



SECTION A-A

<p>*** NOTICE ***</p> <p>THIS DOCUMENT CONTAINS CONFIDENTIAL AND/OR PROPRIETARY INFORMATION INTENDED FOR USE ONLY BY THE INDIVIDUAL(S) PROVIDED. NEITHER THIS DOCUMENT, NOR ANY INFORMATION CONTAINED HEREIN, MAY BE COPIED, DISTRIBUTED, DISCLOSED TO ANY THIRD PARTY OR USED IN ANY MANNER OTHER THAN FOR WHICH IT HAS BEEN PROVIDED, WITHOUT THE PRIOR WRITTEN CONSENT OF ORTRONICS, INC. MANUFACTURING RELEASE, PRODUCT SPECIFICATIONS AND STANDARDS ARE SUBJECT TO CHANGE WITHOUT NOTICE.</p>					<p>125 EUGENE O'NEILL DRIVE NEW LONDON, CT 06320 TEL: 860-445-3800 FAX: 860-405-2990 WWW.ORTRONICS.COM</p>	
<p>TITLE</p> <p>SINGLE GANG FACEPLATE, SS, FLUSH MOUNT, TRACKJACK W/ TELEPHONE STUD</p>						
	NAME	DATE	SIZE	CAD FILE	DWG NO	REV
DWN	W.DIETZ	04/17/09	A	403STJ1WPC	OR-403STJ1WP	04
CHK	C.COLLELO	04/24/07	SCALE	WEIGHT	SHEET	
APPR	M.MARTICH	04/25/07	NONE		1 OF 1	