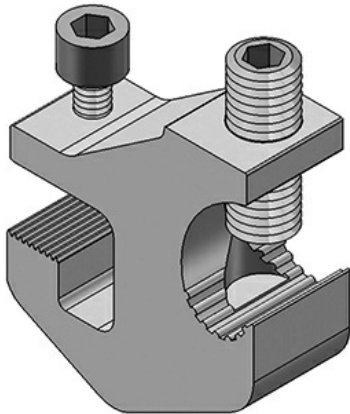




Cablofil
Cable Tray Grounding Clamp (TRA)
Part No. P087800



The aluminum I-beam design of ITray is perfect for industrial installations with large diameter cables in long span situations, minimizing total tray width and creating a smooth transition between straight sections and fittings. A structural offset in the sidewall creates strong, mid-span splices that need fewer supports. Each splice snaps in place and stays without holding. Additionally, only four bolts are needed for each splice reducing hardware needs by 50%. These features allow Itray to be installed up to 30% faster than standard tray.

Features & Benefits

Steel construction

Specifications

General Info

Product Line	Cablofil	Finish	AL
UPC Number	800388247307	Country Of Origin	Mexico
Application Sector	Commercial/Industrial	Standard	UL Classified
Type	Cable Tray		

Dimensions

Product Width US	0.875 in	Product Weight US	0.322 lb
Product Volume US	0.003 cu ft	Product Depth US	2.248 in
Product Height US	2.461 in		

Buy American Act Compliance

BAA	Yes
-----	-----