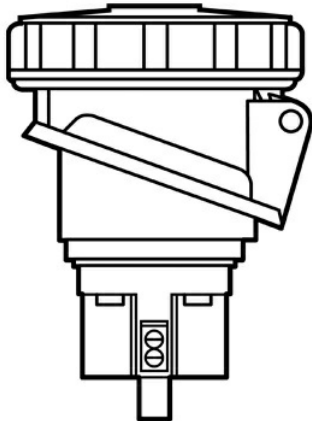




Pass and Seymour  
**Pin & Sleeve Watertight 100A 125V/250V Receptacle**  
Part No. PS4100R12W



Triple-Pole, 4-Wire, Pin and Sleeve Receptacle. 100A, 125/250V.

## Features & Benefits

Legrand Pin & Sleeve products provide installation ease, enduring performance in harsh conditions, and guaranteed IEC 309 compatibility.

Nylon construction for high impact and corrosion resistance.

Locking ring with an integral neoprene gasket provides watertight seal when plug and connector/receptacle are mated.

Combination-head screws for added convenience and quick installation.

Cover with integral neoprene gasket provides watertight seal.

Arrives ready to wire, with cord grip open and cable-ready. Terminal screws come backed out and ready to wire. Front and back body require no disassembly prior to assembly.

Nickel-plated brass pins provide extracorrosion resistance without sacrificing electrical conductivity.

Natural-rubber grommets provide watertight protection at cable entry.

Revolutionary, hinged cord grip for durable performance and ease of installation.

## Specifications

### General Info

Product Line	Pass & Seymour	Color	Gray
Country Of Origin	United States	Application Sector	Commercial
Standard	UL Listed		

### Dimensions

Product Width US	5.2 in	Product Height US	6.6 in
Product Length US	5.6 in		

---

## Listing Agencies / 3rd Party Agencies

---

cULus ListingNumber	151348	cULus Listed	Yes
---------------------	--------	--------------	-----

---

## Technical Information

---

Number of Wires	4	Amperage	100 A
-----------------	---	----------	-------

---

Number of Poles	3-Way	Wire Size	2 AWG
-----------------	-------	-----------	-------

---

Voltage	250.0 V
---------	---------

---