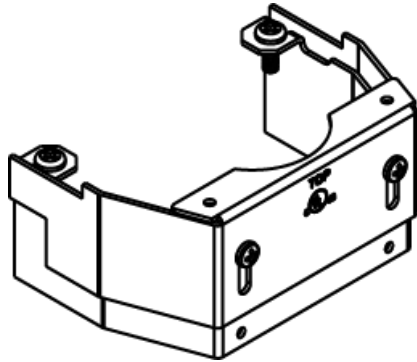




Wiremold  
RFB2 Series Barrier Kit  
Part No. RFBKIT



Barrier kit used to separate power and communication wires in partition feed covers. Supplied with base and three extensions to adjust to cover height. Kit should be used on RFB2, RFB2-SS, RFB2-OG, RFB4 and RFB4-SS Floor Boxes. Kits are sold separately.

## Features & Benefits

Barrier kit used to separate power and communication wires in partition feed covers. Supplied with base and three extensions to adjust to cover height. Kit should be used on RFB2, RFB2-SS, RFB2-OG, RFB4 and RFB4-SS Floor Boxes. Kits are sold separately.

## Specifications

### General Info

Product Line	Wiremold	UPC Number	786564133438
Country Of Origin	United States	Construction	Not Assembled
Application Sector	Commercial	Standard	cULus Listed Metallic Outlet Boxes: File E2961, Guide QCIT cULus Listed Outlet Boxes & Fittings Classified for Fire Resistance: File R8209, Guide CEYY Meets Articles 341.40, 314.41 & 374 of NEC

### Listing Agencies / 3rd Party Agencies

cULus ListingNumber	E2961	cULus Listed	Yes
---------------------	-------	--------------	-----

### Buy American Act Compliance

NAFTA	Yes
-------	-----

### Additional Information

RoHS Conformant	Yes
-----------------	-----